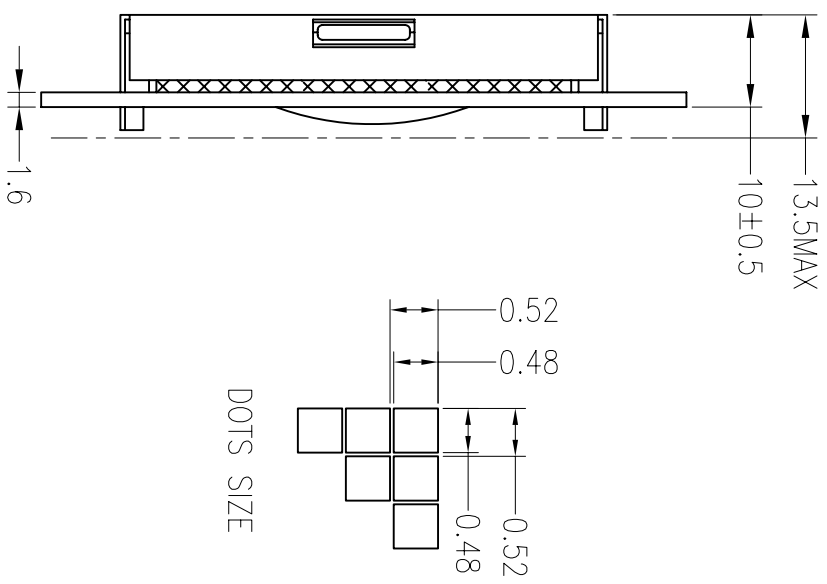
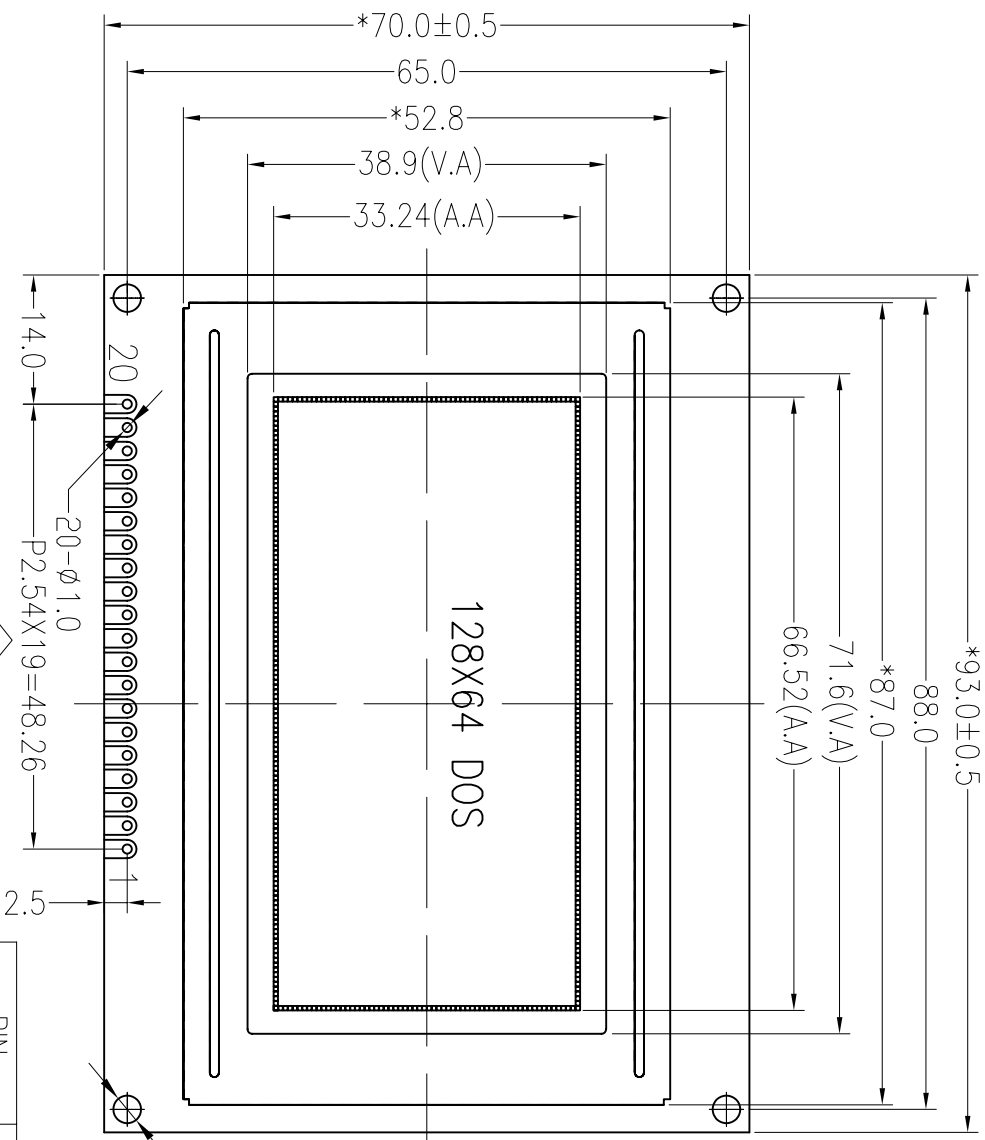


**Customer approval :**



**Specification:**

- 1). Driving: Duty:1/64, Bias:1/9, Vo:-9.2V(Ref), VDD:5.0V
- 2). Viewing angle: 6 O'clock
- 3). Display mode: STN/Negative/Transmissive/Blue
- 4). Operating temp.: -10°C~+60°C  
Storage temp.: -20°C~+70°C
- 5). IC: SBN0064G and SBN6400G
- 6). Backlight: EDGE,WHITE(BLA-BLK=5.0V)
- 7). Dimensions with mark "\*" are important, with mark "(") are referenced
- 8). All the raw materials are ROHS compliant

VIEWING DIRECTION

|            |     |     |     |     |     |     |      |      |     |     |
|------------|-----|-----|-----|-----|-----|-----|------|------|-----|-----|
| PIN        | 1   | 2   | 3   | 4   | 5   | 6   | 7    | 8    | 9   | 10  |
| CONNECTION | VSS | VDD | V0  | RS  | R/W | E   | DB0  | DB1  | DB2 | DB3 |
| PIN        | 11  | 12  | 13  | 14  | 15  | 16  | 17   | 18   | 19  | 20  |
| CONNECTION | DB4 | DB5 | DB6 | DB7 | CS1 | CS2 | /RST | VOUT | BLA | BLK |

|  |  |                            |  |                   |  |
|--|--|----------------------------|--|-------------------|--|
| <b>REVISION RECORD</b>                                     |  | <b>REV</b>                 |  | <b>REV</b>        |  |
| First Issue  |  | A0                         |  | A0                |  |
| MODEL NO.  |  | SYB12864CV15-5C9BLN7R-B5NG |  | GENERAL TOL: ±0.3 |  |
| APPROVED BY  |  | CHECKED BY                 |  | PAGE: 1 OF 1      |  |
| DRAWING BY   |  | YJQ                        |  | UNIT: mm          |  |
| 2010/10/21   |  | PROJECTION                 |  | 三 角 法             |  |
| <p>深圳市三元晶科技有限公司<br/>ShenZhen TCC LCD Hi-Tech Co., Ltd.</p> |  |                            |  |                   |  |