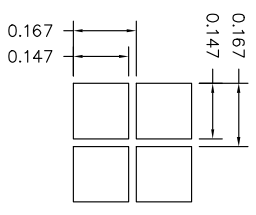
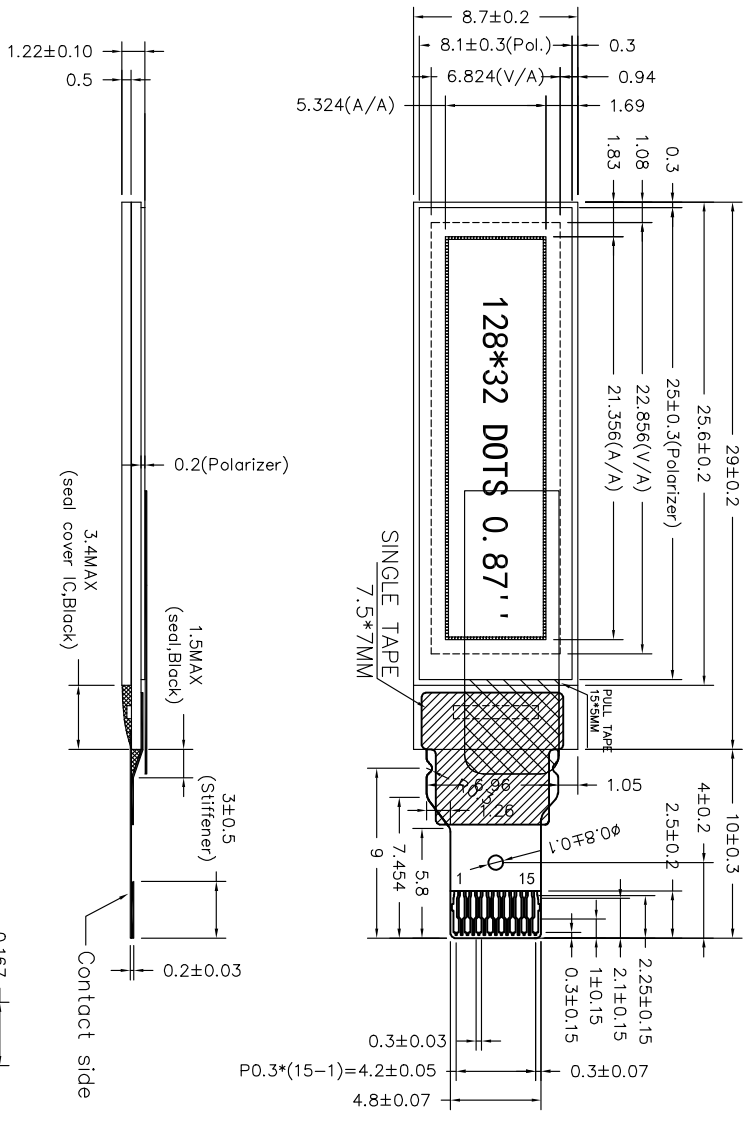
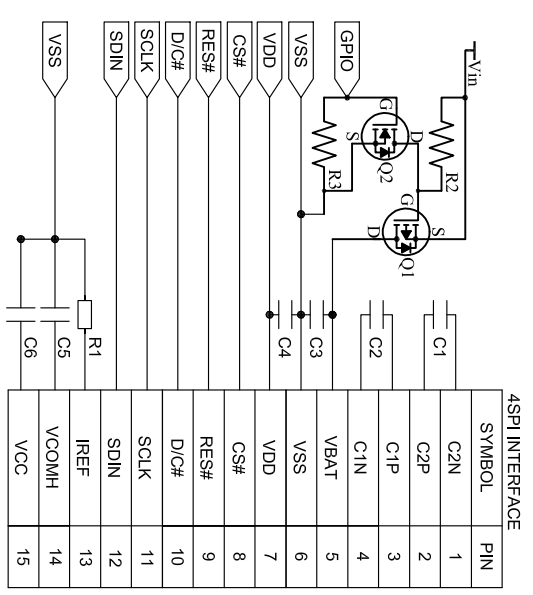
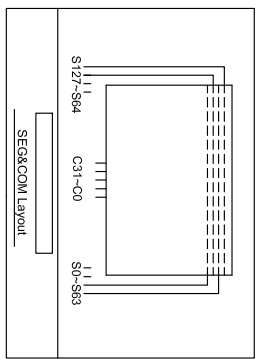


Customer approval :



- Specifications:
1. Display : OLED(White).
 2. Dot Matrix: 128*32
 3. Dot Size: 0.147*0.147mm
 4. Dot Pitch: 0.167*0.167mm
 5. Aperture Rate: 77%
 6. Active Area : 21.356*5.324mm
 7. Drive IC: SSD1316Z



C1: C2, C3, C4: 1uF/16V
 C5, C6: 4.7uF/25V
 R1: 390KΩ±1%
 R2, R3: 47KΩ
 Q1: FDN338P
 Q2: FDN335N

PIN	SYMBOL
1	C2N
2	C2P
3	C1P
4	C1N
5	VBAT
6	VSS
7	VDD
8	CS#
9	RES#
10	D/C#
11	SCLK
12	SDIN
13	IREF
14	VCOMH
15	VCC

REV	REVISION RECORD	DATE	MODEL NO.	GENERAL TOL:
A	FIRST ISSUE	2017/08/08	SY012832A00-3C61VM2-WCE	±0.3
B			模组型号	
C			APPROVED BY 审核	PAGE: 1 OF 1
D			Liu 2017/08/08	PROJECTION 三角法
			Francis 2017/08/08	UNIT: 单位mm
			Luoxian 2017/08/08	

TCC 深圳市三元晶科技有限公司
 Shenzhen TCC LCD Hi-Tech Co., Ltd.